



JTDZ-700 Glass CNC Machining Center

Product descriptions and features

■ Features

- Natural granite machine bed, high precision, good anti-corrosion
- It can be programmed in CNC controller or programmed by computer
- Precision parts have dustproof fittings for good dustproof protection
- Automatic workpiece loading and unloading, reduce labor cost and increase production efficiency

■ For Material

Glass, ceramic, acrylic, non-metal oxide microchip

■ Applied Range

Machining of glass of consumer electronics, acrylic, ceramic



KEJIE website



KEJIE wechat

Parameters

Item	Parameter
Working area X/Y/Z	320/500/150/150mm
Work table size	700×500mm
Max load of table	100kg
Spindle power Max spindle speed	2.5kw/40000rpm
Rapid traverse rate	10m/min
Cutting feed rate	8m/min
Positioning accuracy	0.008mm
Repeatability	0.005mm
Weight	3000kg
Machine dimension	1910×1370×2200mm 2050×1770×2200mm
Power supply	3-PH AC380V ±5% 50Hz

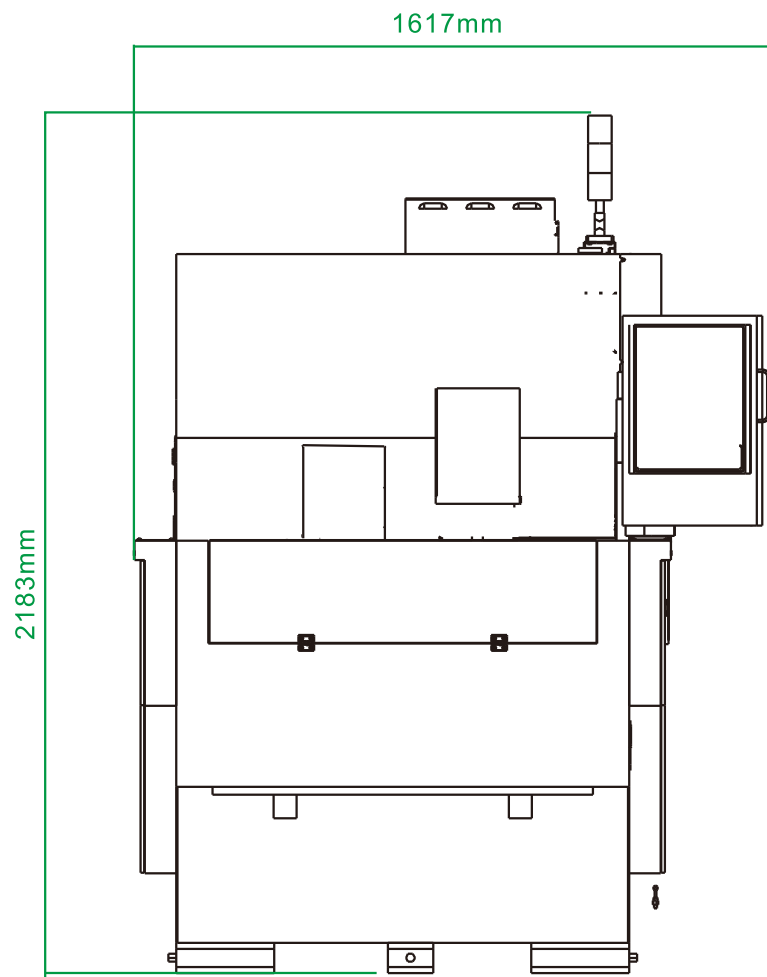
Standard Accessories

- JIATIE high speed CNC controller
- High speed spindle [Double Z axes]
- AC servo motor
- Precision ball screw and guide rail
- Hand Wheel
- Spindle cooling system

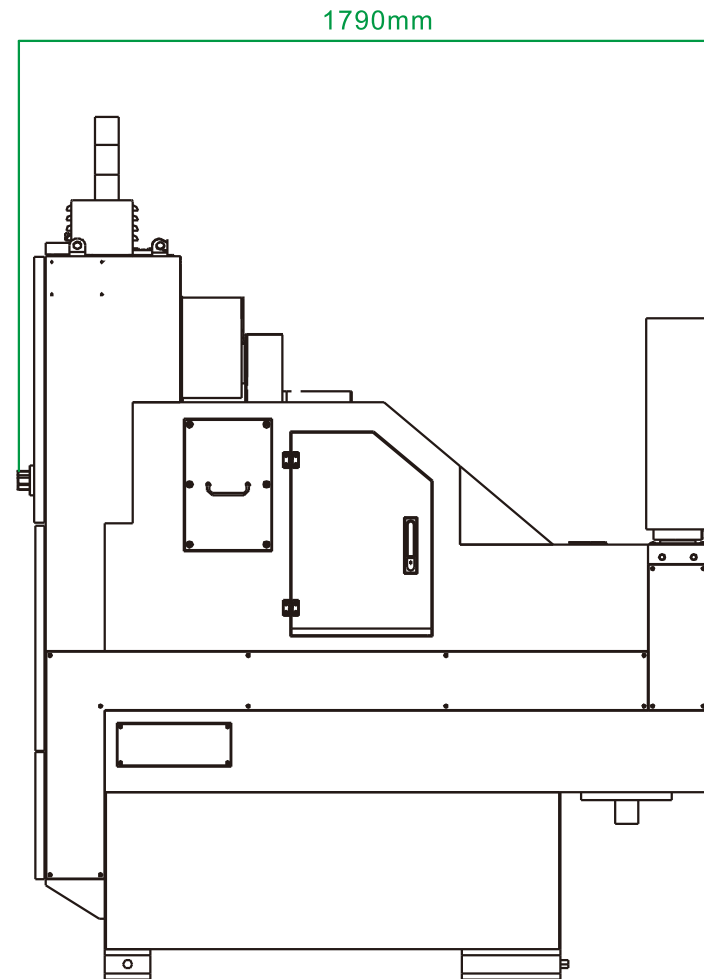
Optional Accessories

- Automatic robot manipulator for loading and unloading of workpiece
- Voltage stabilizer
- Oil mist collector [for machine with full protective hood]
- Cutting fluid filter
- Automatic tool changer with large capacity

Machine dimension

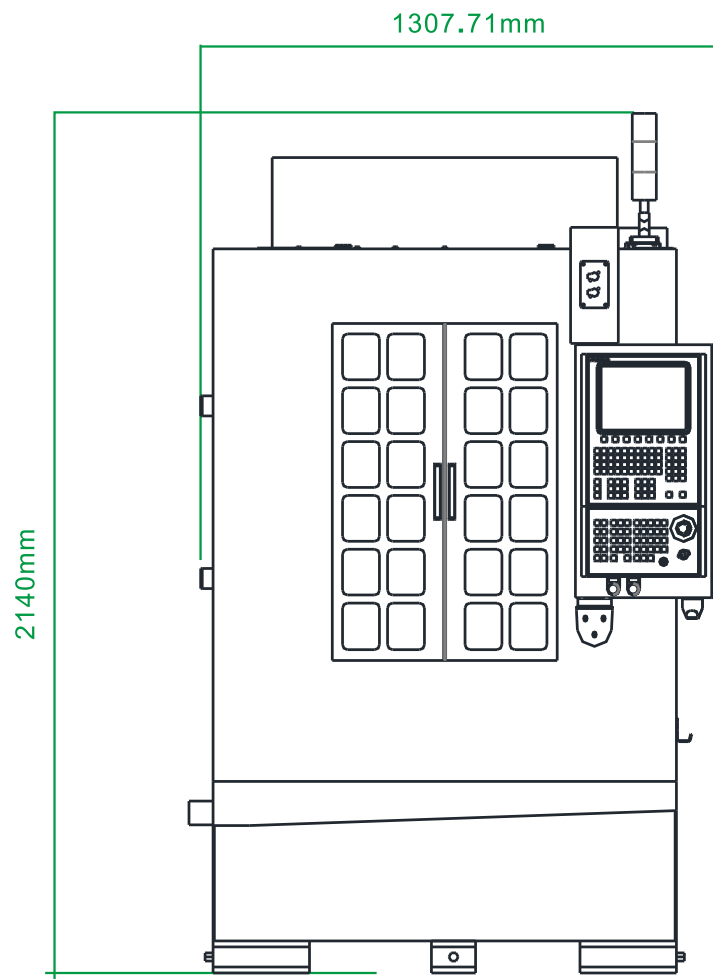


Front

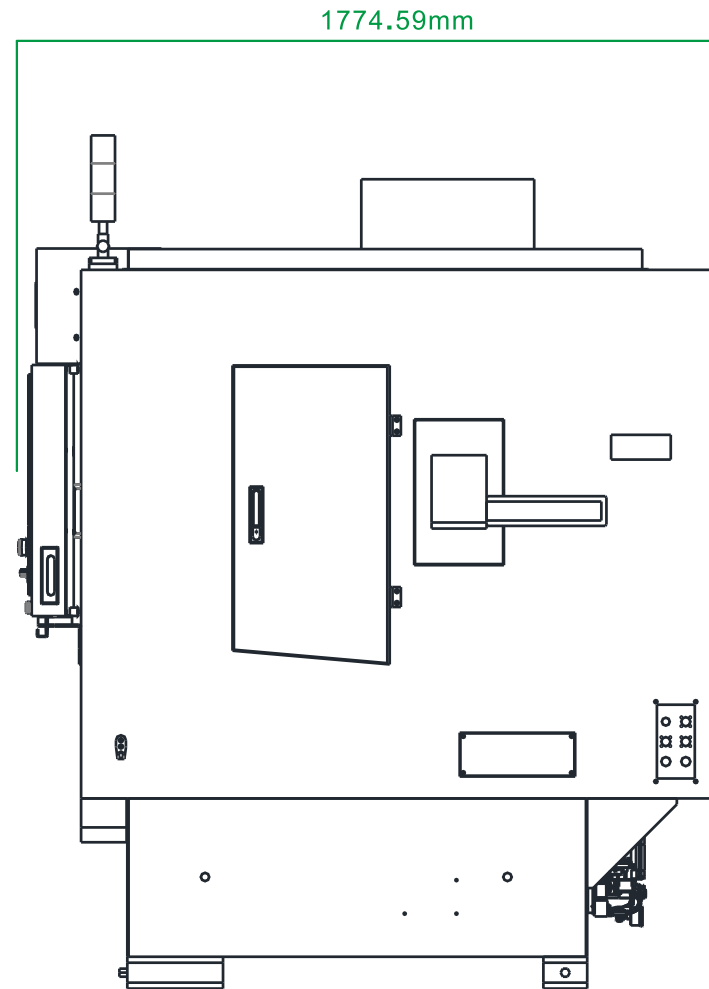


Left

Machine dimension



Front



Left