



## KJ-6 PCB Drilling Machine

### Product descriptions and features

#### Features

- Stable, reliable and cost-effective
- The detection technology of contact type tool broken real-time reaction to prevent hole drilling missing caused by tool breakage
- High-speed, high-performance air bearing spindle to improve machining quality
- Integrated configuration of drilling and routing [optional] to meet various machining requirements

#### For Material

The shell of 3C products, PCB

#### Applied Range

Hole drilling on the flat or circular surface of the shell for 3C products, PCB hole drilling



KEJIE website



KEJIE wechat

## Parameters

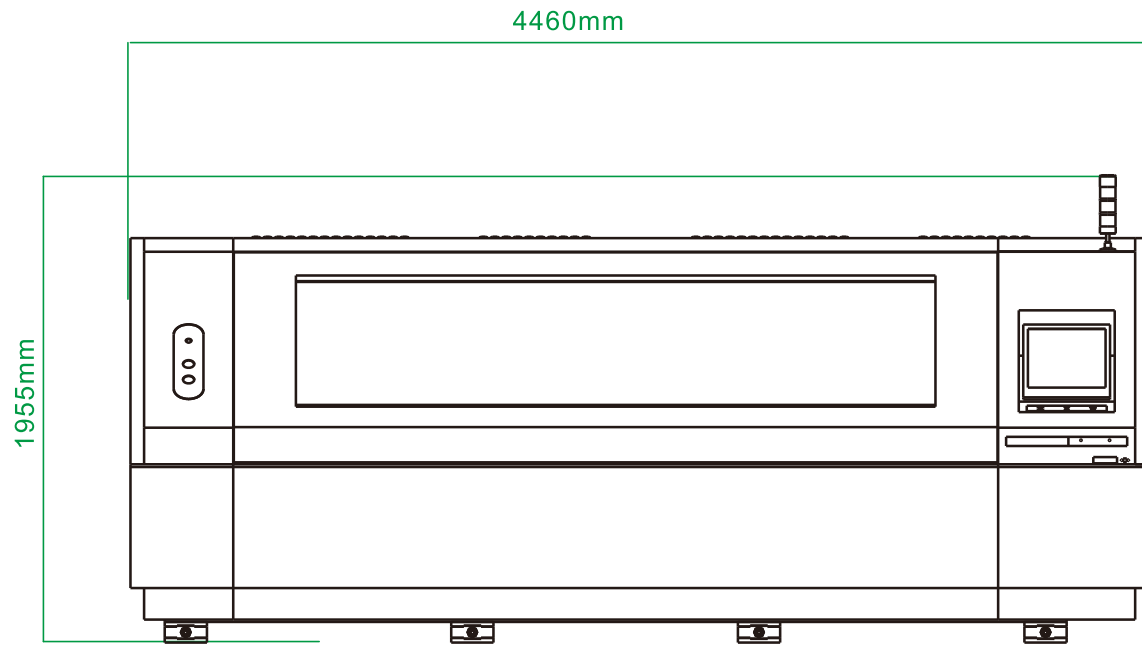
Item	Parameter
Working area X/Y/Z	560/780/40mm
Quantity of machining stations	6 stations
Max spindle speed	160000rpm
Rapid traverse rate X/Y/Z	35/35/30 m/min
Cutting feed rate X/Y/Z	1.2/1.2/3m/min
Positioning accuracy	0.005mm
Repeatability	0.0025mm
Capacity of tool magazine	250 pcs
Machine weight	13500kg
Machine dimension	4460x2030x1880mm
Power supply	3-PH AC380V ±5% 50Hz

## Standard Accessories

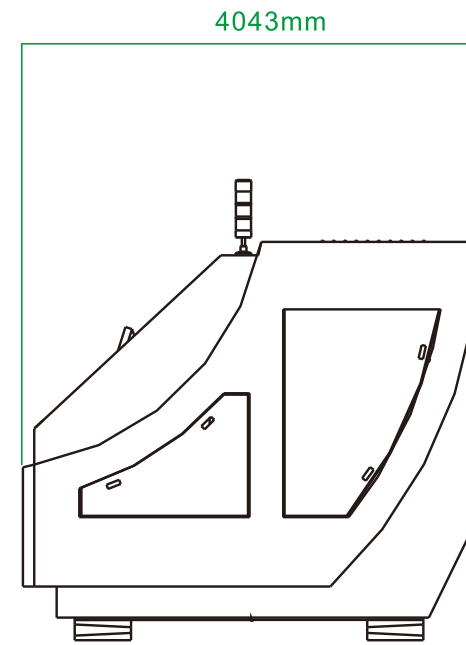
- CNC controller
- Air bearing spindle
- AC servo motor
- Precision ball screw and guide rail
- Linear encoder
- Automatic protective door
- Laser tool setting sensor
- Voltage stabilizer
- Spindle cooling system
- Air drier
- Dust collecting hood
- Tool magazine

## Optional Accessories

- Integrated configuration of drilling and routing



Front



Left